

Corporate brochure

# 企业宣传手册

新一代防腐用工程塑料

山东恒屹新材料有限公司

Shandong Hengyi New Material Technology Co., Ltd

## 目录 CONTENT



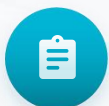
管材 Pipe



阀门类 Valve



客户定制 Customization



辅助类 Auxiliary Class



安装 Installation

## 缩写表 List of Abbreviations

01

ANSI	美国国家标准协会	PN	公称压力, 20°C时介质为水
ASTM	美国材料与测试协会	Kg	重量: 千克
BS	英国标准	G	重量: 克
ISO	国际标准化组织	SP	标准包装数量
ABS	丙烯腈-丁二烯-苯乙烯三元共聚物	GP	标准包装数量
PVC-U	未增塑聚氯乙烯	NPT	锥形螺纹 耐压型 ANSIB 1.20.1
PVC-C	氯化聚氯乙烯	R	锥形外螺纹 耐压型 ISO 7/DIN 2999/1
PP	聚丙烯	RC	锥形内螺纹 耐压型 ISO7/1
PE	聚乙烯	RP	平行内螺纹 耐压型 ISO7/DIN 2999/1
PVDF	聚偏二氟乙烯	Tr	梯形螺纹
FPDM	聚偏二氟乙烯	SC	六角螺栓尺寸
FPM	氟橡胶 如 Viton	s	A/F
NBR	丁腈橡胶	e	管壁厚度
IIR	丁基橡胶	AL	螺栓孔数
PTFE	聚四氟乙烯 如 特氟隆	®	注册商标
PBTP	聚丁烯对酞酸盐	Tg	可锻铸铁
UP-GF	经玻璃纤维加强的不饱和聚酯树脂	D	管道外径
St	钢	FM	热熔焊接方法
Me	钢	DN	热熔焊接方法

02

## 造型与计算依据 Modeling and calculation basis

额定工作压力PN的使用是为了规定管我们建议在标注管道的ISO系列号或者路等级, 这已经是目前全球普遍采用标准尺寸比率SDR外, 同时请标明管的一个惯例, 仅该信息于对头焊塑料道的尺寸和壁厚。管路系统会引起相当多的混淆; 因此,

The use of rated working pressure PN is to specify the pipe. We propose to mark the ISO series number or road grade of the pipe, which is already the standard size ratio SDR widely adopted in the world. At the same time, please mark a common practice of the pipe, only the information is the size and wall thickness of the head-to-weld plastic channel. Piping systems can cause quite a bit of confusion; therefore:

	公式	例子
SDR-Standard Dimension Ratio 标准尺寸比率	$SDR=d/e$	$SDR=110/10=11$
管子系列号[S]	$SDR=2S+1$	$SDR=2 \times 5 + 1 = 11$

d = 管子外径 mm

e = 壁厚 mm

S = 管子的系列号

SDR7.25等级的管道可以和SDR 7.4等级的管道焊接在一起; 同样, SDR17的管子和管件也可以和SDR17,6的管子、管件焊接在一起。它们之间的偏差在允许公差范围内。我们建议在标注管道的ISO系列号或者标准尺寸比率SDR外, 同时请标明管道的尺寸和壁厚。

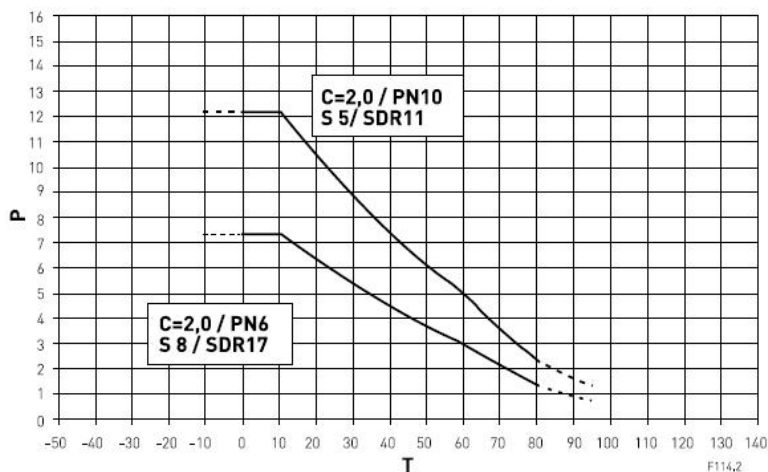
SDR7.25 grade pipes can be welded together with SDR 7.4 grade pipes; Similarly, the pipes and fittings of SDR17 can also be welded together with the pipes and fittings of SDR17,6. The deviation between them is within the allowable tolerance. We recommend that in addition to the ISO series number or standard size ratio SDR of the pipe, please indicate the pipe size and wall thickness.

## 设计系数和导出操作压力 Design factor and derived operating pressure

03

在针对PP和PE的众多标准中都标有设计系数(以前叫安全系数),它们都是以水为输送介质。这些值都低于GeorgFischer公司为工业应用所推荐的安全系数。为了保护人类和赖以生存的环境,这些安全系数的数据是不能适用于工业应用。所以针对PP和PE两种材料在工业上的应用,我们公布和发表了下面的图表来用于管路系统的计算。

Many of the standards for PP and PE are marked with design factors (formerly known as safety factors), which are based on water as the transport medium. These values are below GeorgFischer's recommended safety factor for industrial applications. In order to protect the survival of humans and the environment, the safety factor of the data is not suitable for industrial application. Therefore, for the application of PP and PE materials in industry, we publish and publish the following chart for the calculation of piping system.

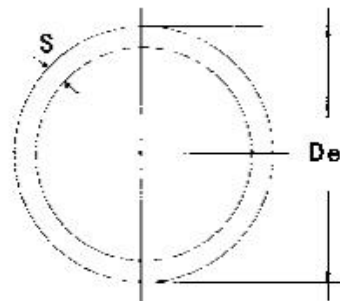


PPH管材、管件执行 DIN8077/8078 标准。产品广泛应用于钢厂的薄板酸洗及废酸回收再生系统,以及化工、环保、电厂、食品加工等领域。

PPH pipes and fittings comply with DIN8077/8078 standard. Products are widely used in steel pickling plate and waste acid recycling system, as well as the chemical industry, environmental protection, power plants, food processing, etc.

04

## 材料特性 Material characteristics



公称外径 De	PN0.25	PN0.32	PN0.4	PN0.6	PN1.0	PN1.6
	S	S	S	S	S	S
Φ16	--	--	--	--	2.0	2.3
Φ20	--	--	--	1.8	2.5	2.8
Φ25	--	--	--	1.8	2.7	3.5
Φ32	--	--	--	1.9	3.0	4.5
Φ40	--	--	1.8	2.3	3.7	5.6
Φ50	--	1.8	2.0	2.9	4.6	6.9
Φ63	1.8	2.0	2.5	3.6	5.8	8.7
Φ75	1.9	2.4	2.9	4.3	6.9	10.4
Φ90	2.2	2.8	3.5	5.1	8.2	12.5
Φ110	2.7	3.5	4.3	6.3	10.0	15.2
Φ125	3.1	3.9	4.9	7.1	11.4	--
Φ140	3.5	4.4	5.4	8.0	12.8	--
Φ160	3.9	5.0	6.2	9.1	14.6	--
Φ180	4.4	5.6	7.0	10.2	16.4	--
Φ200	4.9	6.2	7.7	11.4	18.2	--
Φ225	5.5	7.0	8.7	12.8	20.5	--
Φ250	6.1	7.8	9.7	14.2	22.8	--
Φ280	6.9	8.7	10.8	15.9	25.5	--
Φ315	7.7	9.8	12.2	17.9	28.7	--
Φ355	8.7	11.1	13.7	20.1	32.3	--
Φ400	9.8	12.4	15.4	22.7	36.4	--
Φ450	11.0	14.0	17.4	25.5	41.0	--
Φ500	12.2	15.5	19.3	28.3	45.5	--
Φ560	13.7	17.4	21.6	31.7	--	--
Φ630	15.4	19.6	24.3	35.7	--	--
Φ710	17.4	22.1	27.4	40.2	--	--
Φ800	19.6	24.9	30.8	--	--	--

## 材料特性

### Material characteristics

超高分子量聚乙烯（UHMWPE）、聚乙烯（PE）管材具有分子量高、耐冲击、抗磨损、防腐蚀、流阻小、安装维修方便等特点。地表敷设的管道具有良好的抗老化性能，耐低温达 -70℃，最大工作压力达 2.0MPa。

UHMWPE, PE pipe, It has the characteristics of high molecular weight, impact resistance, wear resistance, corrosion resistance, small flow resistance, easy installation and maintenance. The pipeline laid on the surface has good anti-aging performance, low temperature resistance up to -70℃, and the maximum working pressure up to 2.0MPa.



## 技术指标 Technical index

公称外径 De	PE100 级				
	PN0.6	PN0.8	PN1.0	PN1.25	PN1.6
Φ32	-	-	-	-	3.0
Φ40	-	-	-	-	3.7
Φ50	-	-	-	-	4.6
Φ63	-	-	-	4.7	5.8
Φ75	-	-	4.5	5.6	6.8
Φ90	-	4.3	5.4	6.7	8.2
Φ110	4.2	5.3	6.6	8.1	10.0
Φ125	4.8	6.0	7.4	9.2	11.1
Φ140	5.4	6.7	8.3	10.3	12.7
Φ160	6.2	7.7	9.5	11.8	14.6
Φ180	6.9	8.6	10.7	13.3	16.4
Φ200	7.7	9.6	11.9	14.7	18.2
Φ225	8.6	10.8	13.4	16.6	20.5
Φ250	9.6	11.9	14.8	18.4	22.7
Φ280	10.7	13.4	16.6	20.6	25.4
Φ315	12.1	15.0	18.7	23.2	28.6
Φ355	13.6	16.9	21.1	26.1	32.2
Φ400	15.3	19.1	23.7	29.4	36.3
Φ450	17.2	21.5	26.7	33.1	40.9
Φ500	19.1	23.9	29.7	36.8	45.4
Φ560	21.4	26.7	33.2	41.2	50.8
Φ630	24.1	30.0	37.4	46.3	57.2
Φ710	27.2	33.9	42.1	52.2	
Φ800	30.6	38.1	47.4	58.8	
Φ900	34.4	42.9	53.3		
Φ1000	38.2	47.7	59.3		

公称外径 De	PE80 级				
	PN0.4	PN0.6	PN0.8	PN1.0	PN1.25
Φ16	-				
Φ20	-				
Φ25	-				
Φ32	-	-	-	-	3.0
Φ40	-	-	-	-	3.7
Φ50	-	-	-	-	4.6
Φ63	-	-	-	4.7	5.8
Φ75	-	-	4.5	5.6	6.8
Φ90	-	4.3	5.4	6.7	8.2
Φ110	-	5.3	6.6	8.1	10.0
Φ125	-	6.0	7.4	9.2	11.1
Φ140	4.3	6.7	8.3	10.3	12.7
Φ160	4.9	7.7	9.5	11.8	14.6
Φ180	5.5	8.6	10.7	13.3	16.4
Φ200	6.2	9.6	11.9	14.7	18.2
Φ225	6.9	10.8	13.4	16.6	20.5
Φ250	7.7	11.9	14.8	18.4	22.7
Φ280	8.6	13.4	16.6	20.6	25.4
Φ315	9.7	15.0	18.7	23.2	28.6
Φ355	10.9	16.9	21.1	26.1	32.2
Φ400	12.3	19.1	23.7	29.4	36.3
Φ450	13.8	21.5	26.7	33.1	40.9
Φ500	15.3	23.9	29.7	36.8	45.4
Φ560	17.2	26.7	33.2	41.2	50.8
Φ630	19.3	30.0	37.4	46.3	57.2
Φ710	21.8	33.9	42.1	52.2	
Φ800	24.5	38.1	47.4	58.8	
Φ900	27.6	42.9	53.3		5

## 工业管路系统中新的PE100是首选

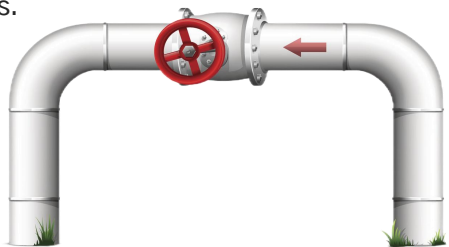
The new PE100 is preferred in industrial piping systems

PE100(MRS10)是第三代聚乙烯，抗蠕变性能大大提高，特别是温度范围达到60℃。

根据基本设计系数(以前称为安全系数),在同样壁厚情况下，可靠的连续工作压力从12.5bar提高到16bar。对于聚乙烯输送介质的适应性也称耐腐蚀性，可以从手册中查到。

PE100管材和管件可以和PE80的产品连接。我们可以提供整套的相同材料的塑料管路产品，如管路、管件、过渡接头，手动和自动阀门。PE产品适用于食品行业，并获得饮用水应用认证。

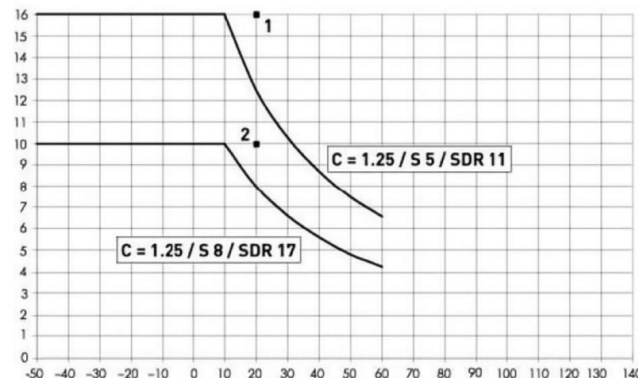
PE100(MRS10) is the third generation polyethylene, which has greatly improved creep resistance, especially in the temperature range of 60°C. According to the basic design coefficient (formerly known as safety factor), wall thickness under the same condition, the continuous work pressure increased from 12.5 bar to 16 bar. Adaptability for polyethylene conveying medium, also known as corrosion resistance, can be detected from the manual. PE100 pipe and pipe fittings can connect and PE80 product. We can offer a complete range of plastic piping products of the same material, such as piping, fittings, transition joints, manual and automatic valves. PE products are suitable for the food industry and are certified for drinking water applications.



## 技术指标 Technical index

### PE100 管路和管件的应用条件 (Eltex TUB1,CRP100)

(设计系数 1.6,25 年使用寿命)

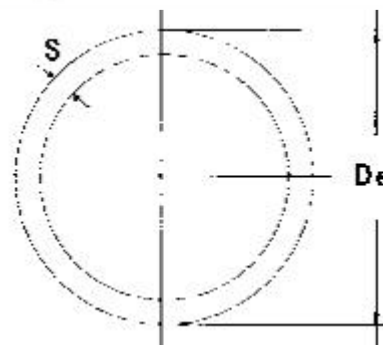


1 设计系数 C=1.25/S5/SDR11 20℃  
水/50 年使用寿命

2 设计系数 C=1.25/S8.3/SDR17.6  
20 度/50 年使用寿命

P 允许压力 bar

T 温度℃



性能		指标			
外观		内外表面清洁、光滑，无气泡、明显的划伤、凹陷、杂质、颜色不均等缺陷。			
断裂伸长率		≥350%			
氧化诱导时间(200)℃		≥20min			
静液	20℃、100h	PE63	PE80	PE100	不破裂
	环向应力	8.0MPa	9.0MPa	12.4MPa	
压强度	80℃、165h	PE63	PE80	PE100	不渗漏
	环向应力	3.5MPa	4.6MPa	5.5MPa	



### 01

#### PP 成型风管 Molded air duct

挤出成型，内外壁光滑，强度高，耐酸碱寿命长，安装方便，广泛应用于腐蚀性气体排放。

After extrusion molding, the inner and outer walls are smooth, high strength, long acid-alkali resistance life, easy installation, and widely used in corrosive gas emission.

### 03

#### PP 套环 (直接) Collar (direct)

注塑成型、外表美观、尺寸标准，规格齐全；使用便捷，价格实惠。

Injection molding, beautiful appearance, standard size, complete specifications; Easy to use and affordable.

### 02

#### PP 板材加工风管 Plate processing air pipe

可以定做非标规格的圆形风管或方形风管，规格不限，做工精致，强度高，外表美观。

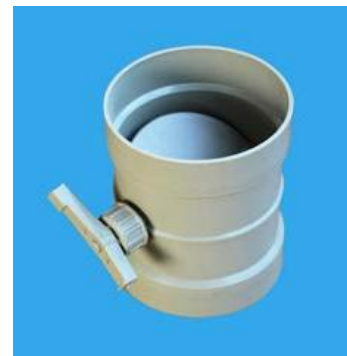
Can be customized non-standard specifications of round air duct or square air duct, specifications are not limited, exquisite workmanship, high strength, beautiful appearance.

### 04

#### PP 法兰 Flange

注塑成型，强度高，尺寸标准，规格齐全；使用方便，有效提高了做风农牧民的效率，按作用分为连接法兰和加强法兰。

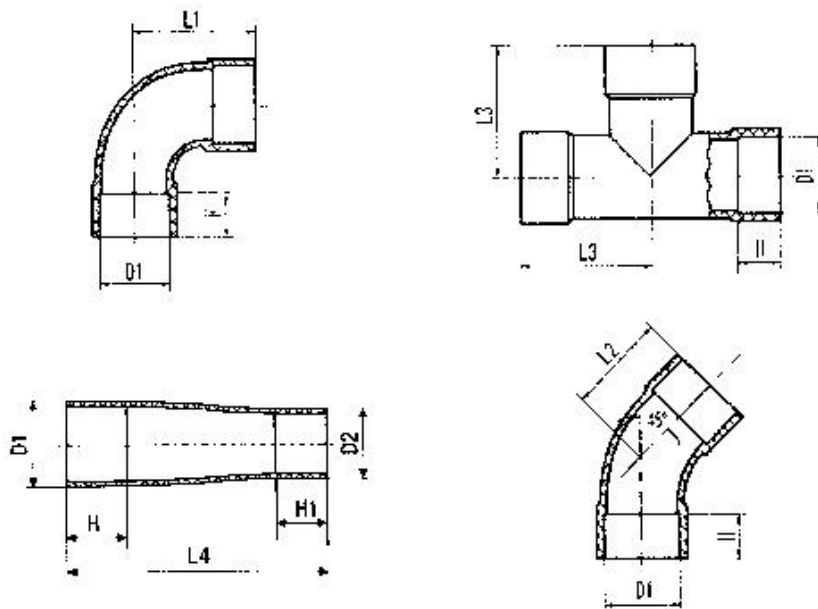
Injection molding, high strength, standard size, complete specifications; Easy to use, effectively improve the efficiency of wind farmers and herdsman, according to the function is divided into connection flange and strengthening flange.



# 管件 Fitting

## 承插类Spigot type

- ◊ 90°承插弯头 90° socket elbow
- ◊ 45°承插弯头 45° socket elbow
- ◊ 承插异径弯头 Socket reducing elbow
- ◊ 承插式正三通 Socket type positive tee
- ◊ 承插式异径三通 Socket reducing tee
- ◊ 承插式斜三通 Socket type inclined tee
- ◊ 承插式四通 Socket type four way
- ◊ 承插式异径管 Socket reducing pipe
- ◊ 承插偏心异径管 Socket eccentric reducer



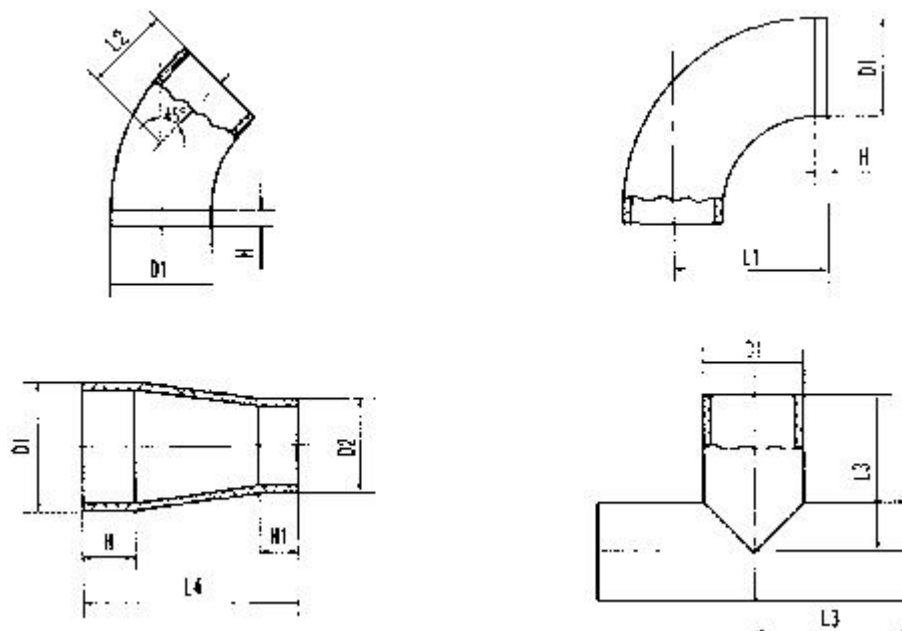
No.	D1	H	L1	L2	L3	L4
1	32	23	55	50	94	/
2	40	26	65	57	100	148
3	50	30	80	66	106	152
4	63	35	95	80	118	172
5	75	40	115	94	132	191
6	90	46	136	107	145	209
7	110	48	158	122	167	239
8	125	51	175	129	181	260
9	140	54	189	143	194	270
10	160	58	220	164	208	300
11	180	62	220	164	216	320
12	200	66	250	178	228	340
13	225	71	286	213	236	367
14	250	77	312	230	266	382
15	280	82	352	260	291	416
16	315	89	410	300	321	484
17	355	97	470	345	375	549
18	400	106	535	390	404	615
19	450	116	595	440	460	630
20	500	127	665	485	500	650
21	560	134	750	550	530	720
22	630	145	820	615	610	800





# 管件 Fitting • 对焊类 Butt welding type

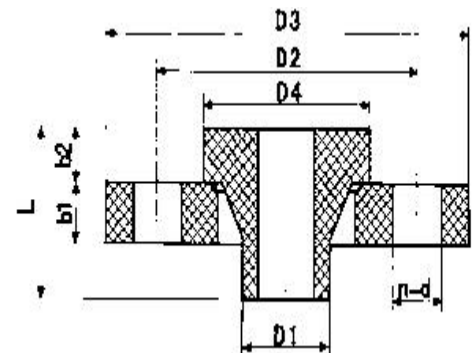
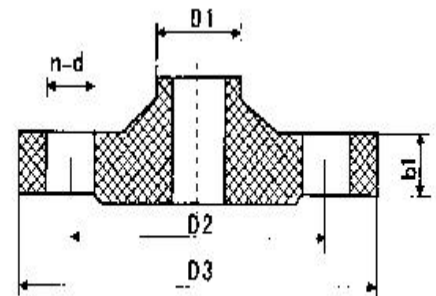
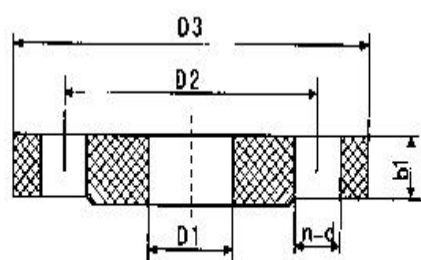
- ◊ 对焊 90°弯头 Butt welded 90° elbow
- ◊ 对焊 45°弯头 Butt welded 45° elbow
- ◊ 对焊异径管 Butt welded reducing pipe
- ◊ 对焊三通 Butt welded tee
- ◊ 对焊异径三通 Butt welded reducing tee



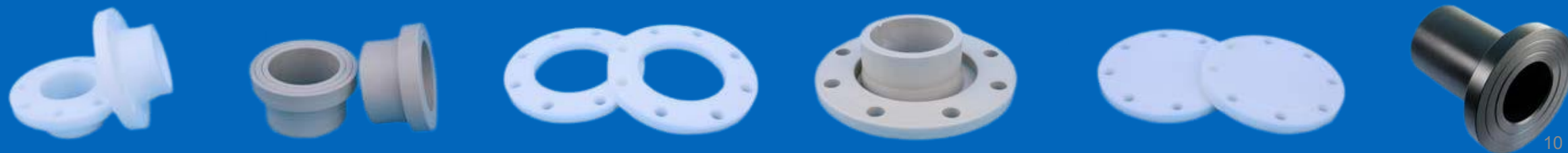
No.	D1	H	L1	L2	L3	L4
1	75	19	103	49	75	90
2	90	22	121	57	90	90
3	110	28	155	70	110	100
4	125	32	178	79	125	100
5	140	35	199	88	140	110
6	160	40	229	95	145	120
7	180	45	258	100	155	130
8	200	50	288	110	170	135
9	225	55	321	140	220	160
10	250	60	256	156	220	175
11	280	70	406	175	250	200
12	315	80	460	198	375	225
13	355	80	470	221	300	350
14	400	90	561	249	325	275
15	450	100	631	280	350	300
16	500	100	681	311	400	325
17	560	110	720	345	500	380
18	630	110	760	390	600	420
19	710	120	800	450	680	540
20	800	120	820	510	740	630



- ◊ 垫环 Backing ring
- ◊ 盲板 Blind plate
- ◊ 平面法兰 Face flange
- ◊ 带颈法兰 Hubbed flange
- ◊ 热熔对焊法兰 Hot melt butt welding flange
- ◊ 钢塑活套法兰 Steel-plastic looping flange



No.	D1	PN1.0		PN0.6		D3	b1	b2	L	D4
		D2	N×d	D2	N×d					
1	20	65	4×14	55	4×11	95	14	14	50	48
2	25	75	4×14	65	4×11	105	16	14	60	58
3	32	85	4×14	75	4×11	120	16	14	60	68
4	40	100	4×18	90	4×14	140	18	14	60	83
5	50	110	4×18	100	4×14	150	18	14	60	87
6	63	125	4×18	110	4×14	160	20	16	80	100
7	75	145	4×18	130	4×14	185	22	16	80	122
8	90	160	8×18	150	4×18	200	24	17	80	138
9	110	180	8×18	170	4×18	220	24	18	85	158
10	125	180	8×18	170	4×18	220	24	25	85	158
11	140	210	8×18	200	8×18	250	26	25	100	188
12	160	240	8×22	225	8×18	285	28	25	100	212
13	180	240	8×22	225	8×18	285	28	30	100	212
14	200	295	8×22	280	8×18	340	34	32	120	268
15	225	295	8×22	280	8×18	340	34	32	120	268
16	250	350	12×22	335	12×18	395	38	35	120	320
17	280	350	12×22	335	12×18	395	38	35	120	320
18	315	400	12×22	395	12×22	440	42	35	120	370
19	355	460	16×22	445	12×22	505	46	40	150	430
20	400	515	16×26	495	16×22	565	46	46	150	482
21	450	565	20×26	550	16×22	615	46	50	180	530
22	500	620	20×26	600	20×22	670	50	50	180	585
23	560	675	20×30	655	20×26	730	50	50	200	635
24	630	725	20×30	705	20×26	780	55	55	210	685
25	710	840	24×30	810	24×26	895	60	60	230	790
26	800	950	24×33	920	24×30	1015	60	60	230	895



# 阀门类 Valve Style

FRPP、PPH塑料阀门是化工、环保、冶金、造纸、制药等领域管道输送中关键的闭启备件之一。该产品质量轻、气密性好、开启轻便、防腐性能卓越，是不锈钢阀门的替代产品。

FRPP, PPH plastic valves are one of the key closed spare parts in pipeline transportation in chemical industry, environmental protection, metallurgy, paper making, pharmaceutical and other fields. The product has light weight, good air tightness, light opening, excellent anti-corrosion performance, and is an alternative to stainless steel valves.

规格	阀门长度 (mm)						工作压力 (MPa)					
	隔膜阀	球阀	止回阀	截止阀	手柄蝶阀	涡轮式蝶阀	隔膜阀	球阀	止回阀	截止阀	手柄蝶阀	涡轮式蝶阀
Dn15	125	120	120	/	/	/	0.6	1	1	/	/	/
Dn20	135	130	130	/	/	/	0.6	1	1	/	/	/
Dn25	145	140	140	160	/	/	0.6	1	1	0.7	/	/
Dn32	160	160	160	180	/	/	0.6	1	1	0.7	/	/
Dn40	180	160	160	200	39	/	0.6	1	1	0.7	0.7	/
Dn50	210	180	180	230	40	/	0.6	1	1	0.7	0.7	/
Dn65	250	220	220	290	46	/	0.6	1	1	0.7	0.7	/
Dn80	300	250	250	310	46	/	0.6	1	1	0.7	0.7	/
Dn100	350	280	280	350	54	/	0.6	1	1	0.6	0.7	/
Dn125	400	320	460	400	70	70	0.4	0.8	1	0.5	0.5	0.5
Dn150	460	360	/	480	74	74	0.4	0.8	1	0.5	0.5	0.5
Dn200	570	400	/	600	/	87	0.4	0.8	1	0.4	0.5	0.4
Dn250	/	/	/	/	/	114	/	/	/	/	/	0.3
Dn300	/	/	/	/	/	114	/	/	/	/	/	0.3
Dn350	/	/	/	/	/	127	/	/	/	/	/	0.3
Dn400	/	/	/	/	/	140	/	/	/	/	/	0.3
Dn450	/	/	/	/	/	152	/	/	/	/	/	0.2
Dn500	/	/	/	/	/	152	/	/	/	/	/	0.2
Dn600	/	/	/	/	/	178	/	/	/	/	/	0.2

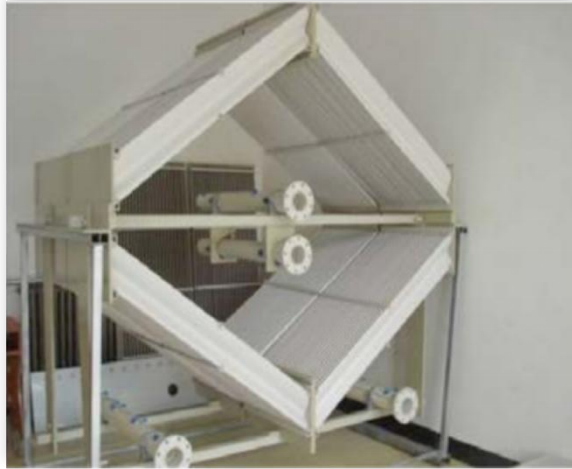




广泛应用于工业酸、碱等废气净化，是目前酸碱废气处理中最常用也最实用的一款处理设备。洗涤塔主要分为两种：填料塔和旋流塔。填料塔相对用途广泛，粉尘较多时可选用旋流塔。可根据空间大小定制圆形或方形洗涤塔。

Widely used in industrial acid, alkali and other waste gas purification, is the current acid and alkali waste gas treatment of the most commonly used and the most practical treatment equipment. Scrubbers are mainly divided into two types: packed tower and swirl tower. The packing tower is widely used, and the swirl tower can be used when there is much dust. Circular or square scrubbers can be customized according to the size of the space.



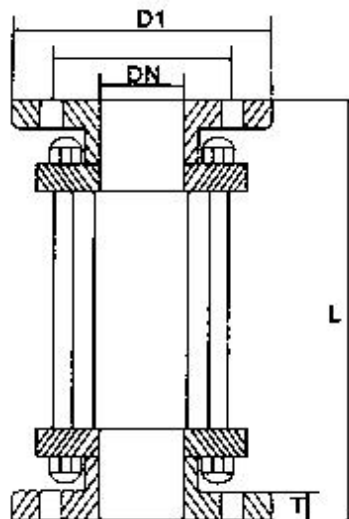


采用共聚级聚丙烯管材专用料生产，罐体 DN800-4000mm 都是一次成型挤塑。产品具有耐腐蚀、强度高、抗渗漏、内阻小、抗拉、抗弯、造价低、寿命长、安装维修方便等特点，广泛应用于各种行业，深受用户信赖。我们可负责 PP 管道安装施工和指导，并可按需定制。

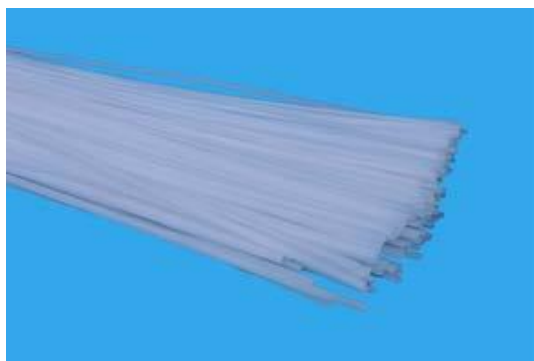
The use of copolymerization grade polypropylene pipe special material production, tank cover DN800-4000mm are a single molding extrusion. The products have the characteristics of corrosion resistance, high strength, leakage resistance, low internal resistance, tensile resistance, bending resistance, low cost, long life, easy installation and maintenance, etc., widely used in various industries, trusted by users. We can be responsible for PP pipeline installation construction and guidance, and can be customized.

## FRPP 视镜 标准对照表

Standard comparison table of sight glasses



公称直径 DN	D				D1				L	T
	JIS	DIN	ANSI	BS	JIS	DIN	ANSI	BS		
25	90	85	80	83	125	115	108	115	240	16
32	100	100	89	87	135	140	117	120	240	16
40	105	110	98	98	140	150	127	135	240	16
50	120	125	120	115	155	165	152	152	240	16
65	140	145	140	127	175	185	178	165	240	18
80	150	160	152	146	185	200	190	185	240	18
100	175	180	190	178	210	220	229	215	240	18
125	210	210	216	8.25	250	250	254	254	375	20
150	240	240	240	9.25	280	285	274	280	386	20
200	290	295	298	11.5	330	340	343	337	420	25
250	355	350	362	14	400	395	406	406	445	28



## 塑料补偿器及辅助产品

### Plastic compensators and auxiliary products

塑料管道补偿器具有伸缩补偿量大，耐腐蚀、气密性好等特点，连接方式可采取法兰式、对焊式和承插式。该产品填补国内一项空白，并获得国家专利。

The plastic pipe compensator has the characteristics of large expansion compensation amount, corrosion resistance, good air tightness, etc. The connection mode can be flange type, butt welding type and socket type. The product fills a gap in China and has obtained a national patent.



## 技术指标 Technical index

补偿量 compensation dosage

205-255mm

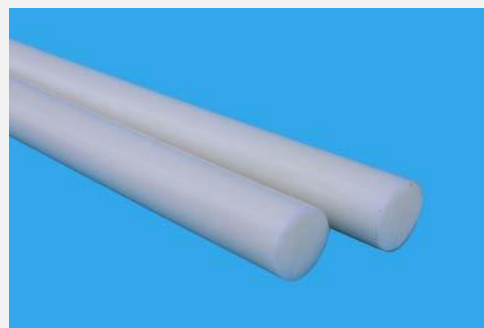
适应温度 adaptive temperature

FRPP -10°C - 120°C

PP 0°C - 100°C

工作压力 MPA

1.0MPa





👍 (安装设备及现场安装图片) 👍

恒屹公司具有法人资格的专业安装公司，配有 CAD 工艺制图、给排水管路施工等专业技术人员，上岗人员均经劳动部门考核合格，持证作业，是一支专业的施工队伍。公司技术力量雄厚、设备先进，拥有整套进口、国产的安装设备，其中塑料管道热熔焊接机达百余套（ $\Phi 75$ - $\Phi 1000\text{mm}$ ），各种辅助设备（发电机、压力试验机、吊机、挤塑焊枪、热风焊枪、电动锯、电动刨等）应有尽有，能全方位为客户提供管材安装的设计、施工、技术指导及售后服务，在越南、泰国、巴基斯坦等工地施工均受到国外专家的赞誉。

Heng Yi is equipped with CAD process drawing, water supply and drainage pipeline construction and other professional and technical personnel, the staff are qualified by the labor department, certified operation, is a professional construction team. The company has strong technical force and advanced equipment, with a complete set of imported and domestic installation equipment, including more than 100 sets of plastic pipe hot melt welding machines ( $\Phi 75$ - $\Phi 1000\text{mm}$ ), various auxiliary equipment (generators, pressure testing machines, cranes, extrusion welding guns, hot air welding guns, electric saws, electric planers, etc.) everything. Can provide customers with a full range of pipe installation design, construction, technical guidance and after-sales service, in Vietnam, Thailand, Pakistan and other construction sites ave been praised by foreign experts.